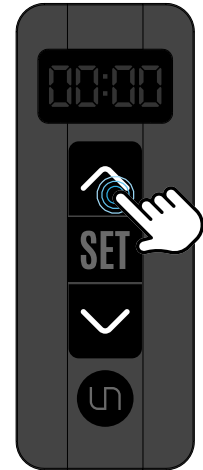
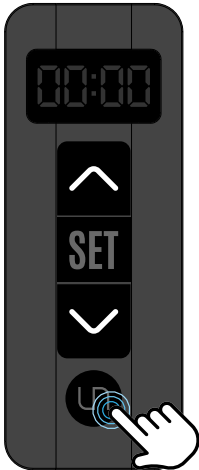


# MINI REFUGIUM LIGHT INLINE REMOTE

## SETUP GUIDE



**ON/OFF:** Press and hold UN to turn on/off.

**SET COLOR:** Press once to change color option. Toggle between 8 color options by pressing and cycling\* through F01-F08. Press SET to confirm or wait 5 seconds.

**POWER MODE:** Press and hold to switch between Scheduled mode (AS) or Always ON (AC) to pair with a smart plug.

By default, the device will power on in AS mode, to change this 2x Press UN.

**SET CURRENT TIME:** Hold SET for 3 seconds, Hour will flash. Press up/down to choose current time (hour).

Press SET to move to minute. Set current time (minute). Press SET again to finalize the current time.

**NOTE:** No : displayed is AM and : displayed is PM.

1:00 AM      1:00 PM

**SET SCHEDULE:** Immediately after setting time, set the desired scheduled ON time, starting with the hour, then minutes.

08 07 AM      07 30 AM

Next, set the schedule OFF time, starting with the hour, then the minutes.

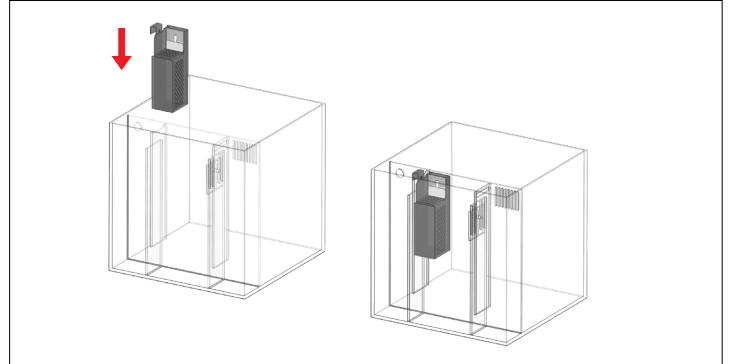
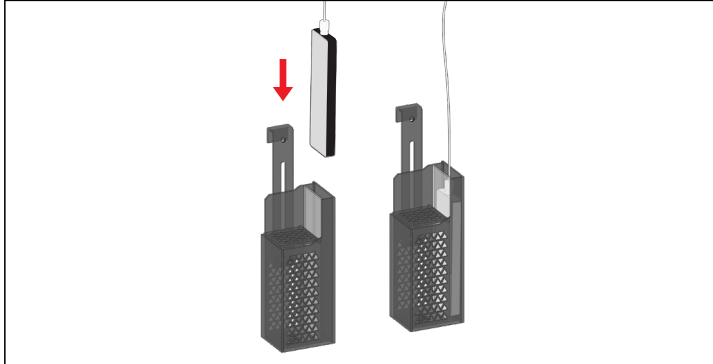
08:07 PM      07:30 PM



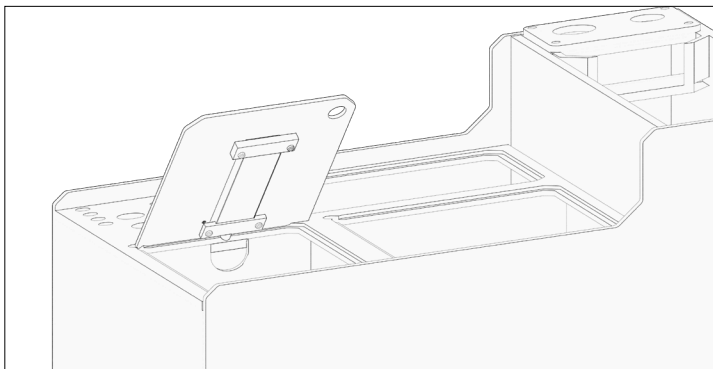
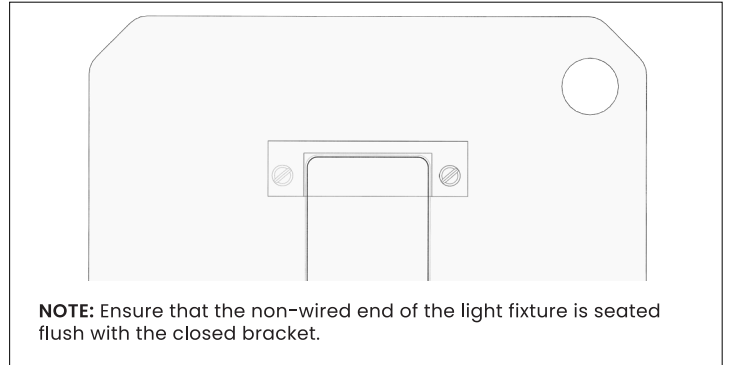
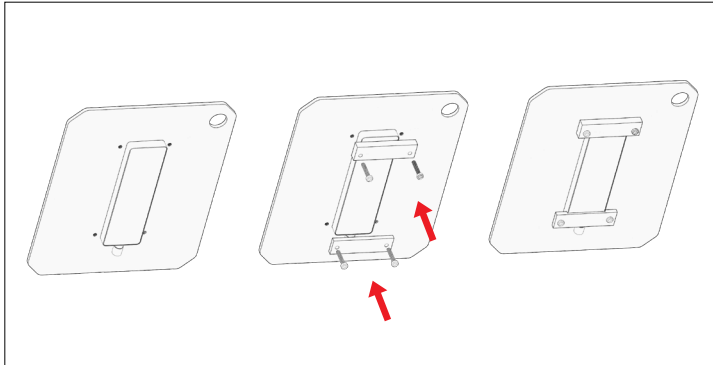
# MINI REFUGIUM LIGHT MAGNETIZED

## INSTALLATION GUIDE

**DUAL ALL-IN-ONE AQUARIUM with REFUGIUM accessory** Ultum Nature Systems refugium sold separately. Universal Dual AIO Refugium fits all Dual AIO sizes.



**R SYSTEM AQUARIUM SUMP** Fits all Ultum Nature Systems Reef System models



**MAGNET**

