



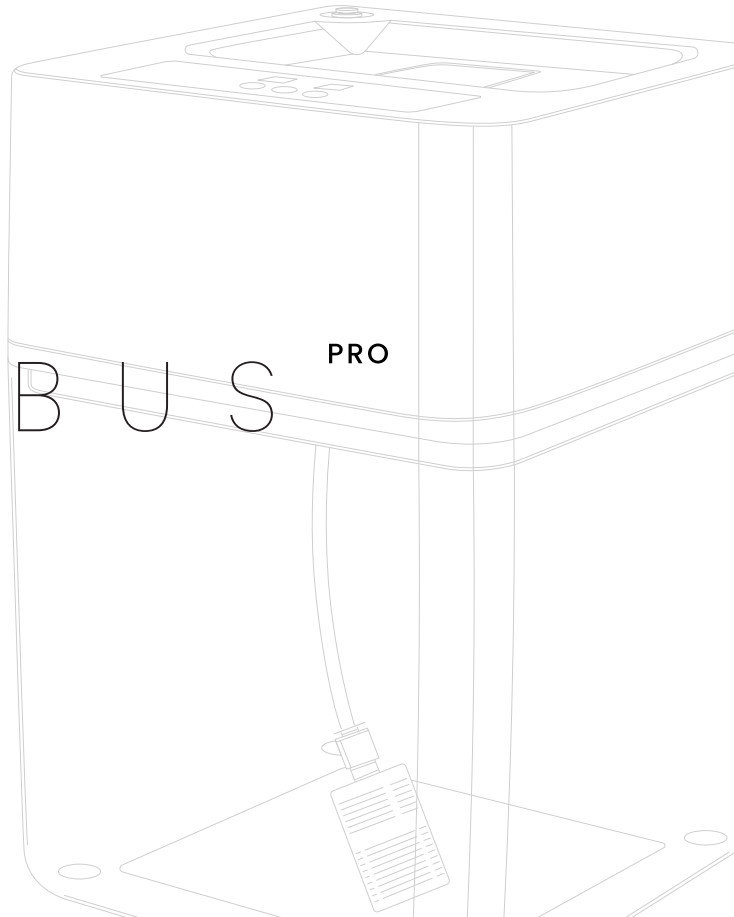
SYSTEMS

N I M

B U S

PRO

MISTING SYSTEM

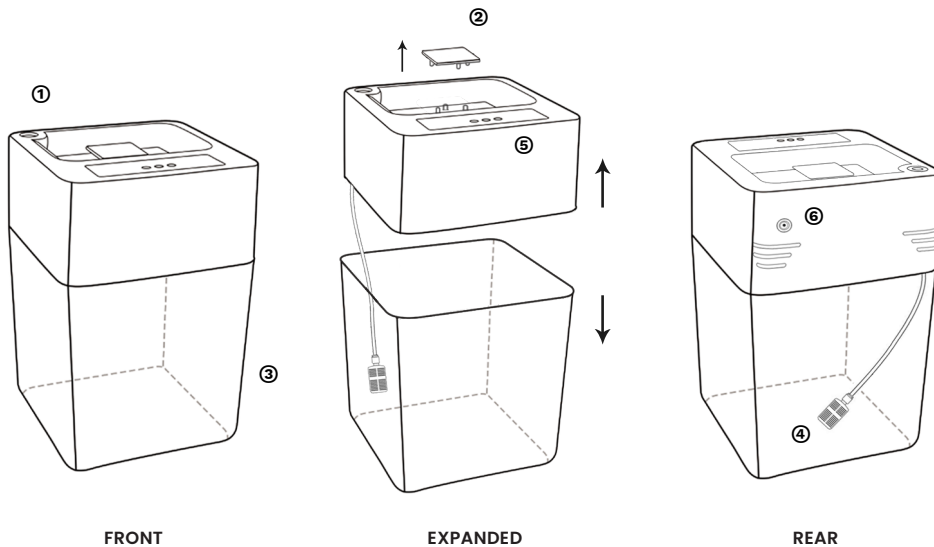


# NIMBUS

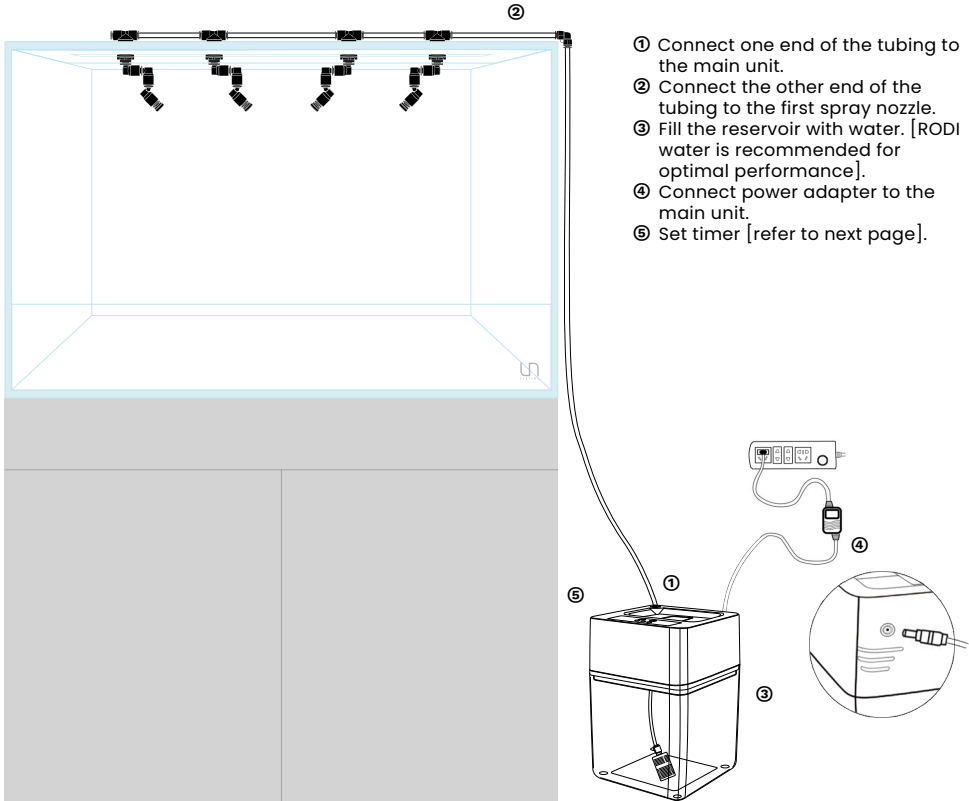
Nimbus by Ultum Nature Systems is a smart misting device designed to emulate ideal climate for tropicals and emersed aquatic plant species. Nimbus emits a fine mist to increase humidity levels and features programming capabilities to ensure stable conditions are maintained. Intervals, duration and frequency can be customized to meet the care requirements of the plants and animals housed.

## OVERVIEW

- ① Tubing outlet
- ② Water cap
- ③ Reservoir
- ④ Filter strainer
- ⑤ Smart timer
- ⑥ Power outlet



## SETUP GUIDE



**Connecting nozzles:** Insert tubing into each nozzle and engage safety lock. Pull back gently to ensure the connection is secure.

**Disconnecting nozzles:** Press and hold safety lock located on each end of the nozzles. Gently pull tubing outwards to release.

## TIMER SETTINGS

1. Press "Mode" button to enter Automatic Mode (the numbers on the LCD screen will light up).
2. Press "Duration" button to set the desired spray time. Each additional press will increase spray duration by 5 seconds.
3. Press "Cycle" button to set time intervals. Each additional press will increase time interval by 1 hour.
4. Wait 5 seconds. The spray duration and desired intervals are now automatically set. Your Nimbus device will now implement the desired duration and time interval settings chosen immediately.



Single press increases duration by 5 seconds. Maximum duration for each spray is 60 seconds.

### DURATION



Set ON/OFF or AUTOMATIC settings.

### MODE



Single press increases time intervals by 1 hour. Maximum time allowed between each interval is 24 hours.

### CYCLE

**SMART MEMORY:** In the event that your device is disconnected, Nimbus features smart memory and will save intervals and duration times previously set by the user.

## SPECIFICATIONS

<b>DIMENSIONS</b>	9.84 X 9.84 X 14.96IN
<b>RESERVOIR VOLUME</b>	3.17GAL
<b>NUMBER OF SPRAY NOZZLES</b>	4
<b>MAXIMUM NUMBER OF SPRAY NOZZLES</b>	5
<b>OPERATING TEMPERATURE</b>	40°F - 102°F
<b>AMBIENT HUMIDITY</b>	≤80%
<b>WEIGHT</b>	8.16LBS
<b>POWER SPECIFICATIONS</b>	AC220V 50HZ
<b>POWER CONSUMPTION</b>	20WATTS
<b>BUILD</b>	ABS & PC

### CONTENTS INCLUDE:

- Nimbus
- [2] 10M tubing
- [4] Spray nozzles
- [2] T-connector
- [2] L-connector
- [2] Nozzle plugs
- [10] Tubing clamps
- Cable ties
- Tubing cutter
- Power supply

## SAFETY INSTRUCTIONS

Please read the following safety instructions thoroughly before attempting to use this product. Failure to read and follow safety instructions can result in serious injuries and/or accidents.

### WARNING

- Nimbus uses an AC 220V/50Hz power supply. Large power fluctuations may result in malfunctions that include failure to start, motor damage and abnormal operation of the device. Please use a voltage stabilizer if power fluctuations are expected.
- Refrain from unnecessary force, pulling, tugging or stretching of the power cables.
- Handle with care when installing, uninstalling or moving the unit.
- Disconnect the device from power source prior to performing maintenance.
- Do not store or use any flammable products near the device. Doing so can result in accidental fire and/or injury.

## WARRANTY INFORMATION

In the rare case that the unit you have received is defective, Ultum Nature Systems provides a two year limited warranty. Please take some time to register your new product at: [www.ultumnaturesystems.com/product-registration](http://www.ultumnaturesystems.com/product-registration) to expedite a future warranty claim.

Ultum Nature Systems warrants, to the original buyer, this product to be of the highest quality in material, craftsmanship and free of defects for a limited warranty of two years, effective starting from the original date of purchase.

Under limited warranty, Ultum Nature Systems will replace or refund any product confirmed to be defective due to manufacturer flaws based on eligibility. This warranty extends only to personal use and does not include any product that has been used for commercial or rental purposes, or any other use in which this product is not intended for. The warranty is voided if the product has been subjected to abuse, tampering, modification or repair done by personal self, another person or by a non-qualified company. This warranty excludes damage due to normal wear and tear and is not warranted against moisture or water damage.

This warranty is non-transferrable. Ultum Nature Systems assumes no liability and is not responsible in any way for any loss, damage or inconvenience caused by equipment failure or user error, negligence, abuse or use that is noncompliant with the safety instructions and warnings included.

ALL EXPRESSED AND IMPLIED WARRANTIES ARE LIMITED TO THE PERIOD OF THE ORIGINAL WARRANTY.

# ULTUM NATURE SYSTEMS

TRANSCEND INTO A DEEPER UNDERSTANDING AND APPRECIATION OF NATURE

**ULTUM NATURE SYSTEMS**

DESIGNED IN LOS ANGELES, USA

MADE IN CHINA

FOR MORE INFORMATION PLEASE VISIT: [WWW.ULTUMNATURESYSTEMS.COM](http://WWW.ULTUMNATURESYSTEMS.COM)

ULTUM NATURE SYSTEMS, INC. IS NOT RESPONSIBLE FOR ANY DAMAGE OR DEATH OF LIVESTOCK IN YOUR AQUARIUM. THIS INCLUDES, BUT IS NOT LIMITED TO, AQUATIC PLANTS, FISH AND/OR SHRIMP.

THIS PRODUCT IS INTENDED FOR PALUDARIUM AND TERRARIUM USE ONLY. KEEP AWAY FROM CHILDREN.