

ALUMINUM STAND

INSTALLATION GUIDE

Applicable models:



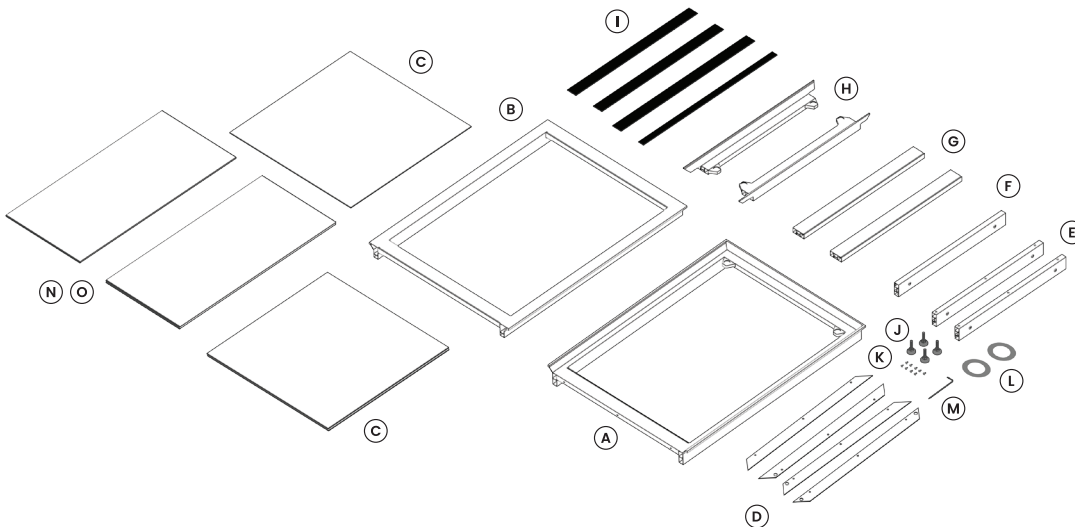
60C



75



90U

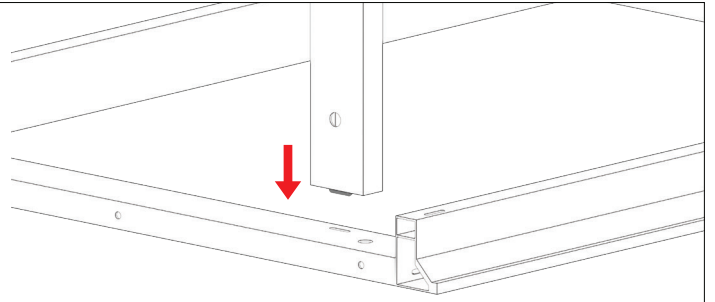
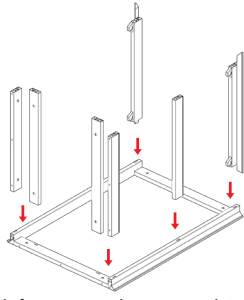


PACKAGE INCLUDES:

- A. [1] Front Frame
- B. [1] Back Frame
- C. [1] Floor Base
- D. [4] Bottom Flats
- E. [2] Drilled Short Bars
- F. [1] Undrilled Short Bar
- G. [2] Long Bars
- H. [2] Top Bars
- I. [4] Foam Mat
- J. [4] Leveling Feet
- K. [12] Short Screws
- L. [2] Tape
- M. [1] Tool
- N. [3] Doors (60C)
- O. [4] Doors (75 and 90U)

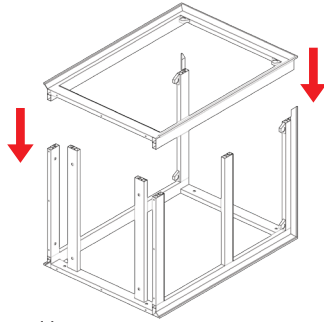


STEP 1

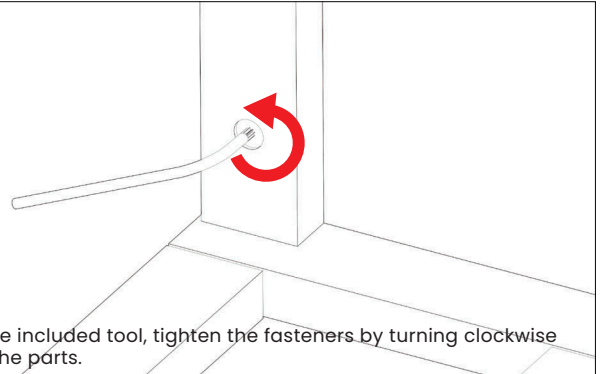


Begin by laying the flat side of the back frame on the ground. Insert the Drilled Short Bars with the holes facing downwards into the far left and right slots of the bottom of the frame. Insert the long bars into the bottom of the stand with the screws facing downwards. The bars should sit flush against the outside edges. Insert the two top bars into the top of the frame, with the magnets facing outward.

STEP 2

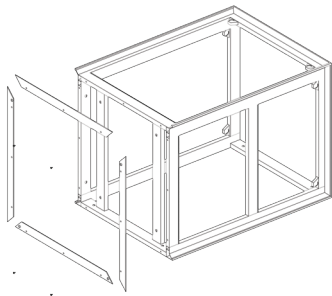


Place the Front Frame onto the fastened bars. Tighten all fasteners to ensure parts are locked.

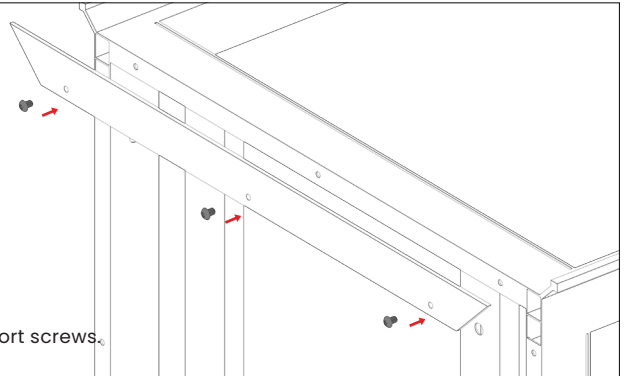


Using the included tool, tighten the fasteners by turning clockwise to lock the parts.

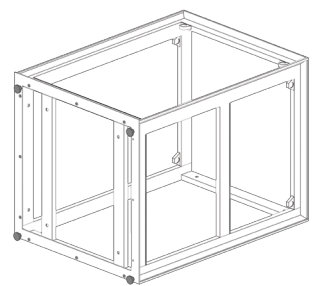
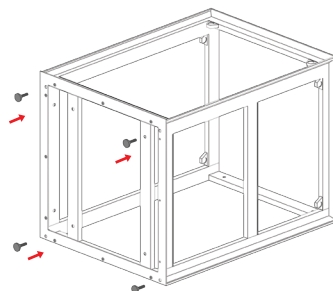
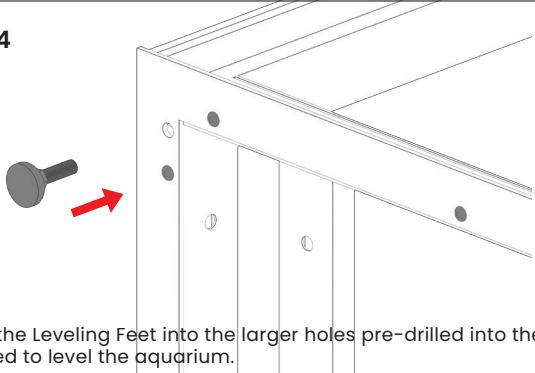
STEP 3



Screw the Bottom Flats into the bottom of the frame using the included tool and short screws.



STEP 4

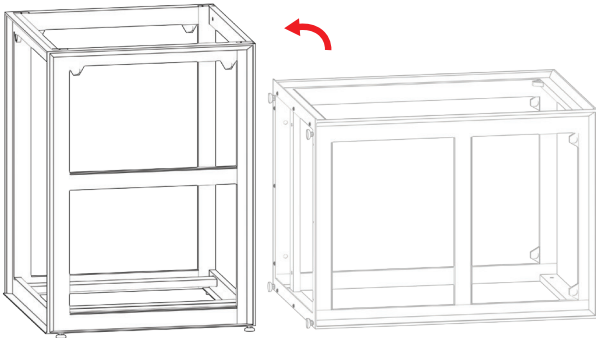


Screw the Leveling Feet into the larger holes pre-drilled into the Bottom Flats. Secure all 4 feet onto the bottom of the stand. These feet can be adjusted to level the aquarium.

CONTINUE ON NEXT PAGE

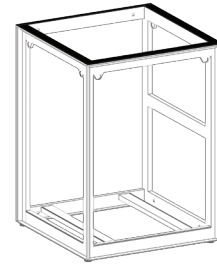
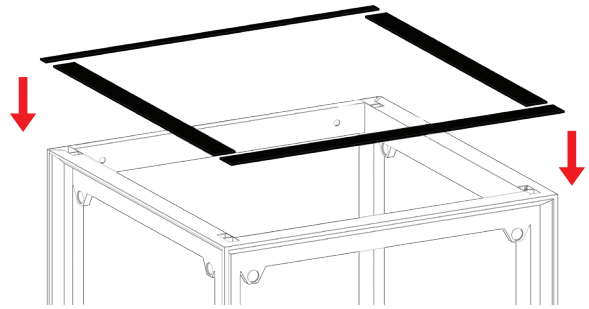


STEP 5



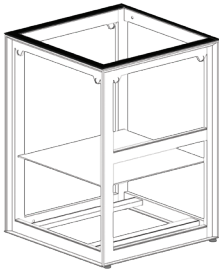
Turn stand upright.

STEP 6



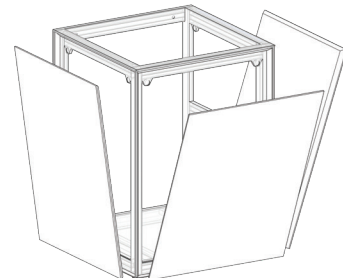
Carefully attach the Foam Mats after removing the film from the bottom. Attach the mat to match the picture shown above.

STEP 7

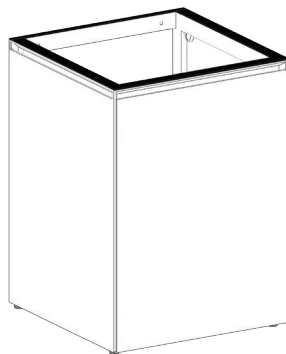


Insert the Floor Base into the stand, ensure it sits flat against the bottom two bars.

STEP 8



Attach the doors to the Stand.
(75 and 90U stands feature two front doors)



WARNING! The stand is designed to be installed on a level, concrete surface. The manufacturer and seller of this product shall not be held liable for any damages, injuries, or losses resulting from the improper installation or use of this product. It is the responsibility of the purchaser to ensure that the stand is installed correctly and securely in accordance with the provided instructions and applicable safety guidelines. Any incidents of tipping, falling, or failure of the rack caused by improper installation, failure to follow instructions, or the use of incorrect mounting hardware are not covered under the manufacturer's liability. Please consult a qualified professional if you are unsure about the installation process.



ALUMINUM STAND

INSTALLATION GUIDE

Applicable models:



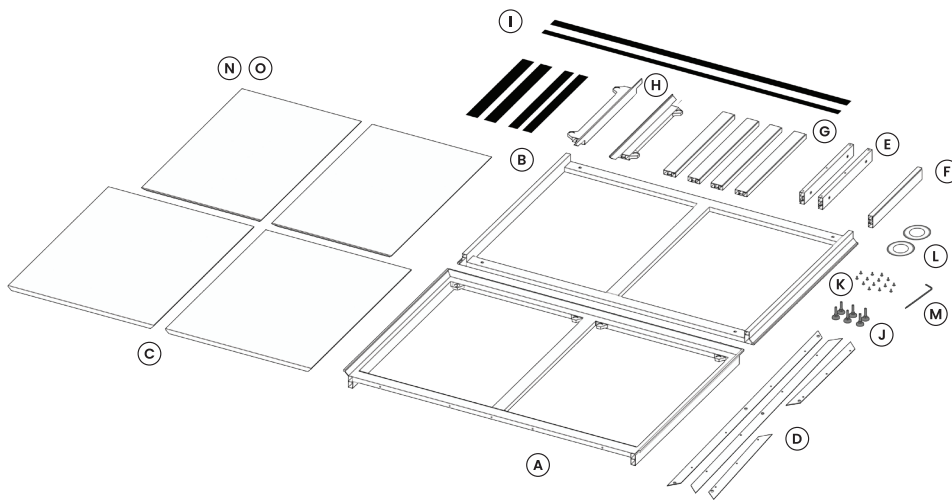
120P and 120U



150U



180U



PACKAGE INCLUDES:

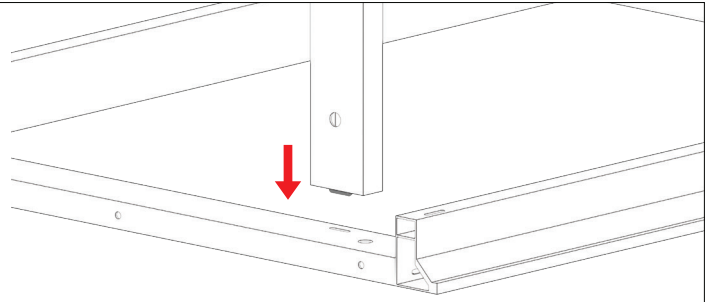
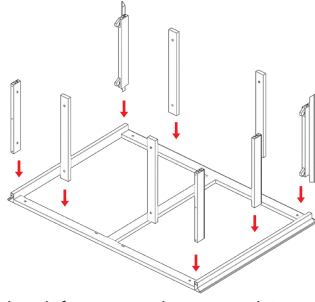
- A. [1] Front Frame
- B. [1] Back Frame
- C. [1] Floor Base
- D. [4] Bottom Flats
- E. [2] Drilled Short Bars
- F. [1] Undrilled Short Bar
- G. [4-6] Long Bars
(Depending on size of stand)
- H. [2] Top Bars
- I. [6] Foam Mat
- J. [6] Leveling Feet
- K. [10] Short Screws
- L. [2] Tape
- M. [1] Tool
- N. [4] Doors (120P and 120U)
- O. [5] Doors (150 and 180)



IMPORTANT! Work with a partner and be careful of sharp edges.

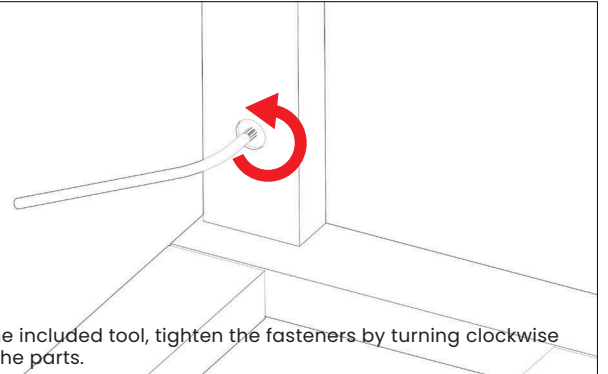
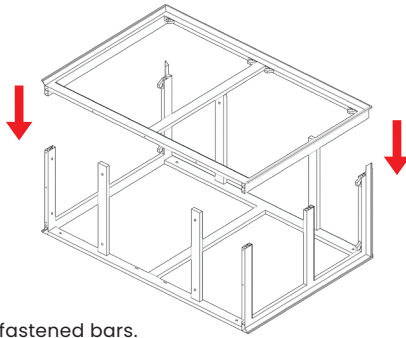


STEP 1



Begin by laying the flat side of the back frame on the ground. Insert the Drilled Short Bars with the holes facing downwards into the far left and right slots of the bottom of the frame. Insert the long bars into the bottom of the stand with the screws facing downwards. The bars should sit flush against the outside edges. Insert the two top bars into the top of the frame, with the magnets facing outward.

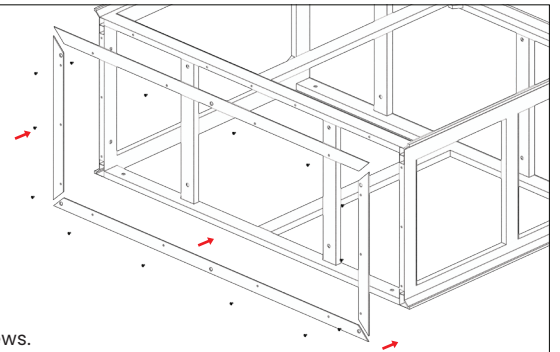
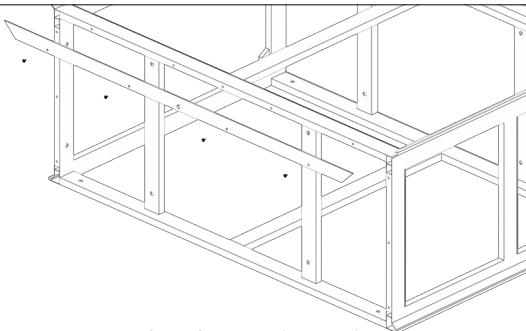
STEP 2



Place the Front Frame onto the fastened bars. Tighten all fasteners to ensure parts are locked.

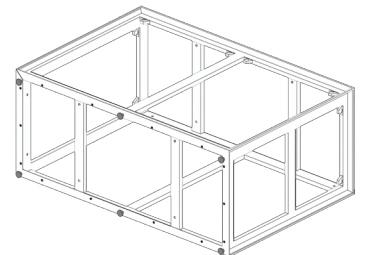
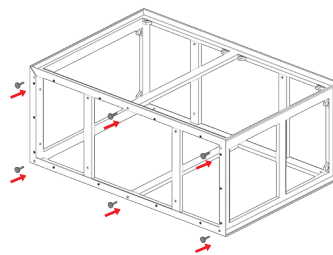
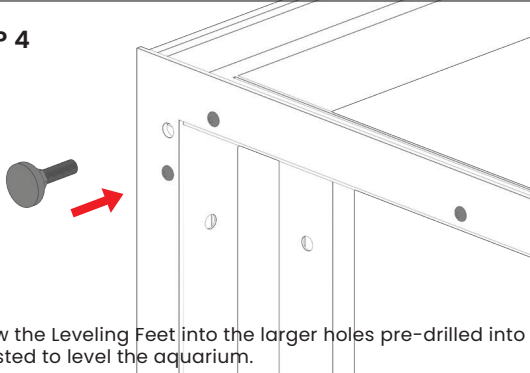
Using the included tool, tighten the fasteners by turning clockwise to lock the parts.

STEP 3



Screw the Bottom Flats into the bottom of the frame using the included tool and short screws.

STEP 4

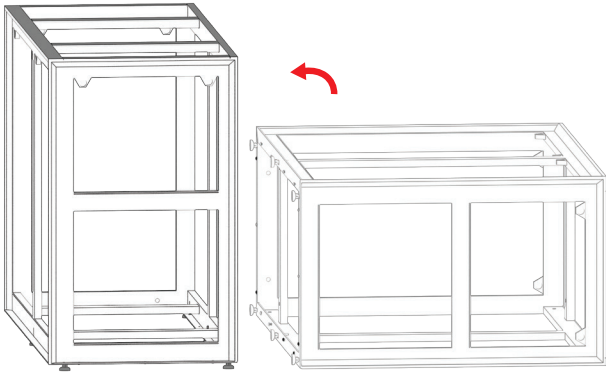


Screw the Leveling Feet into the larger holes pre-drilled into the Bottom Flats. Secure all 4 feet onto the bottom of the stand. These feet can be adjusted to level the aquarium.

CONTINUE ON NEXT PAGE

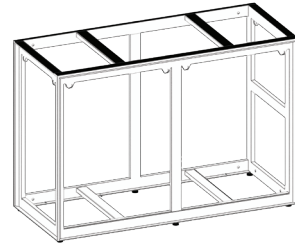
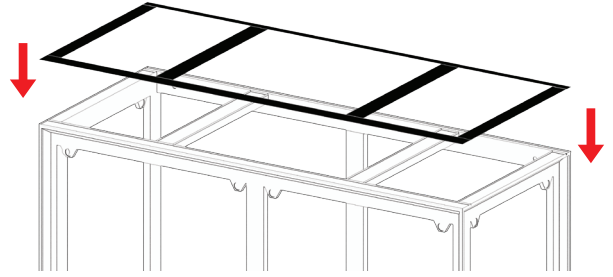


STEP 5



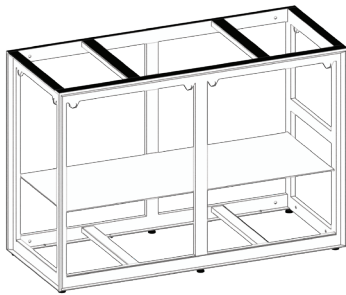
Turn stand upright.

STEP 6



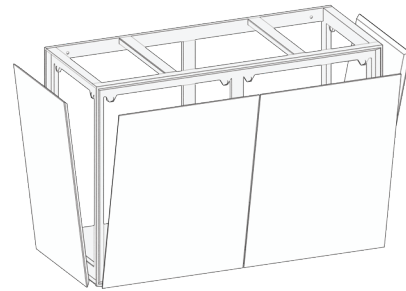
Carefully attach the Foam Mats after removing the film from the bottom. Attach the mat to match the picture shown above.

STEP 7

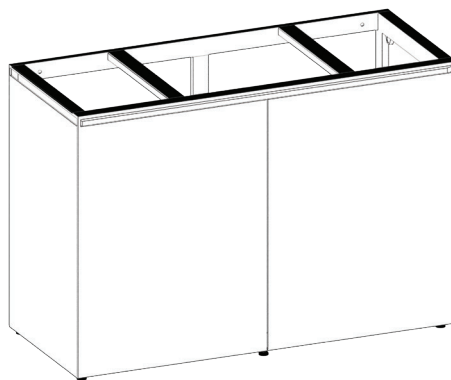


Insert the Floor Base into the stand, ensure it sits flat against the bottom two bars.

STEP 8



Attach the doors to the Stand.
(150 and 180 stands feature three front doors)



WARNING! The stand is designed to be installed on a level, concrete surface. The manufacturer and seller of this product shall not be held liable for any damages, injuries, or losses resulting from the improper installation or use of this product. It is the responsibility of the purchaser to ensure that the stand is installed correctly and securely in accordance with the provided instructions and applicable safety guidelines. Any incidents of tipping, falling, or failure of the rack caused by improper installation, failure to follow instructions, or the use of incorrect mounting hardware are not covered under the manufacturer's liability. Please consult a qualified professional if you are unsure about the installation process.

